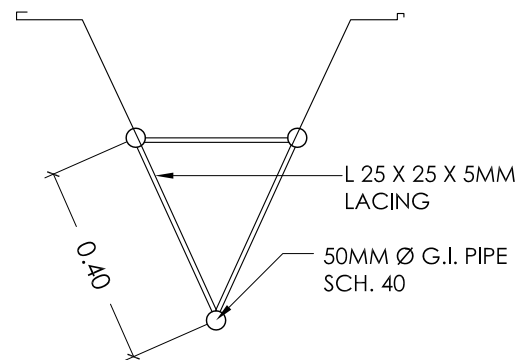
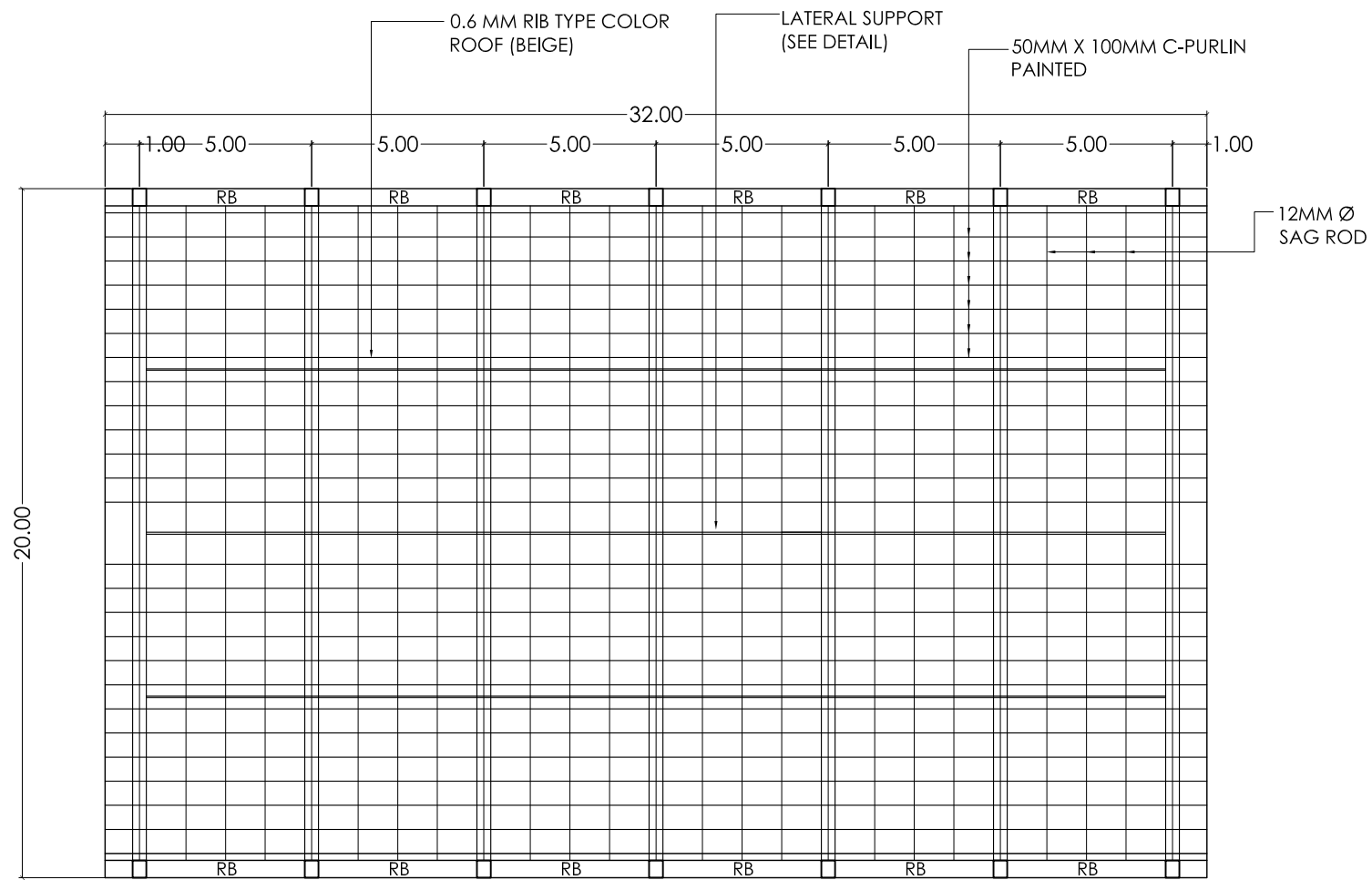


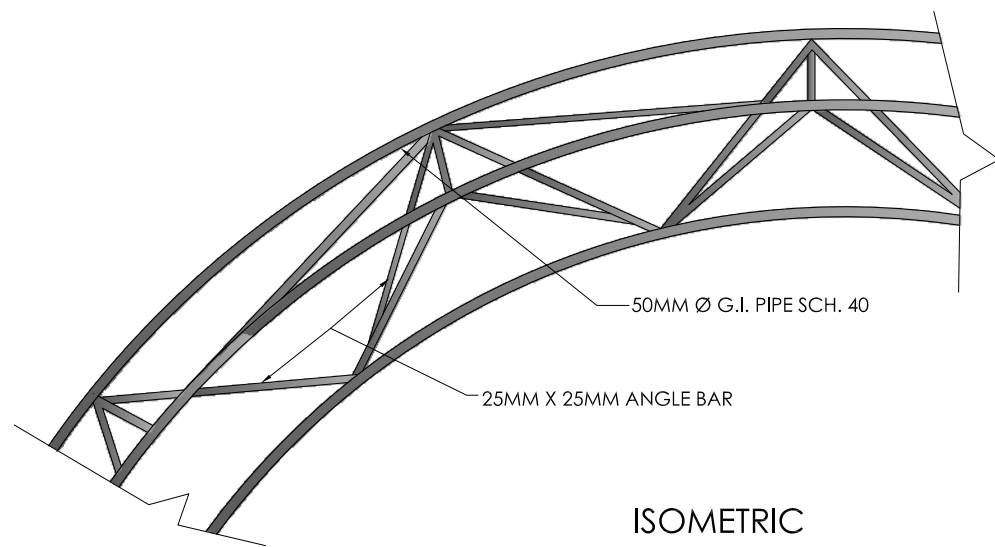
SIDE ELEVATION



SECTION

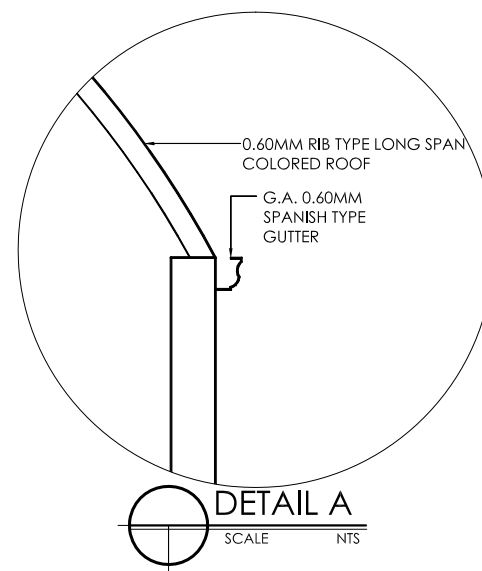


ROOF FRAMING PLAN  
SCALE 1:200 MTS

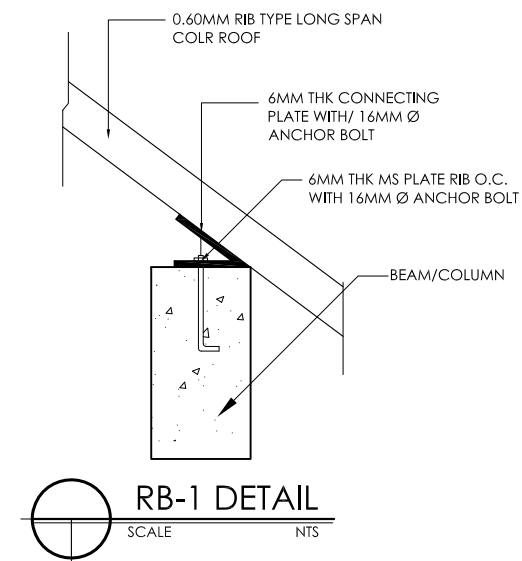


ISOMETRIC

TRILLON DETAIL  
SCALE NTS



DETAIL A  
SCALE NTS



RB-1 DETAIL  
SCALE NTS

NAME OF COMPANY:

PROJECT TITLE:

RECOMMENDING APPROVAL:

APPROVED BY:

CAD BY:

DATE:

SHEET NO.



**DUTY FREE PHILIPPINES**

DUTY FREE PHILIPPINES FIESTAMALL, COLUMBIA COMPLEX,  
NINYO AQUINO AVENUE, STO. NINO, PARANAQUE CITY 1700  
TEL: (02) 5524337 / (02) 5524357

**PROPOSED DFPC BASKETBALL  
COVERED COURT**

LOCATION:

MA. LOURDES D. VELARDE  
DGM FOR ADMINISTRATION

BERNARDINE R. BELMONTE  
DGM FOR OPERATION

LORENZO C. FORMOSO  
CHIEF OPERATING OFFICER

DESIGN BY:

CHECKED BY:

ECI / ESC

SHEET CONTENTS:

ROOF FRAMING PLAN

LATERAL SUPPORT DETAILS

TRILLON DETAIL

RB-1 DETAILS

S  
1