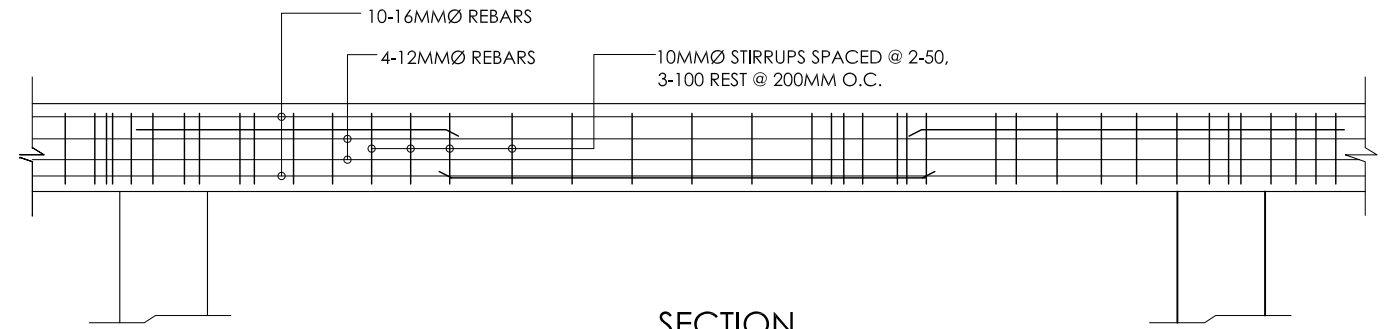
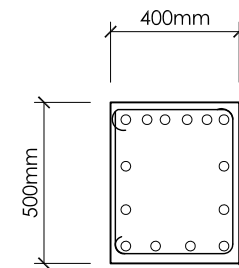


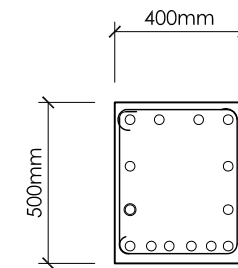
ROOF BEAM PLAN
SCALE 1:200 MTS



SECTION

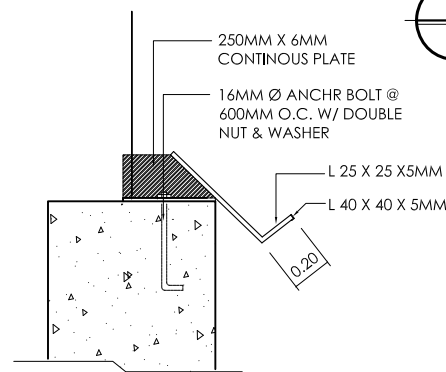


SUPPORT

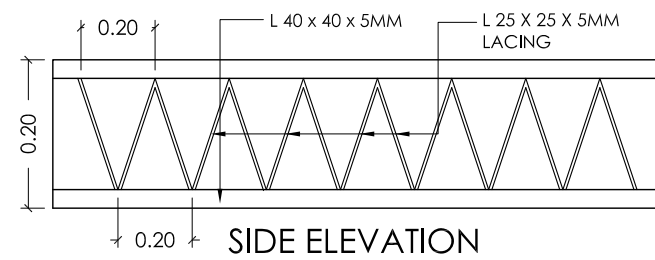


MIDSPAN

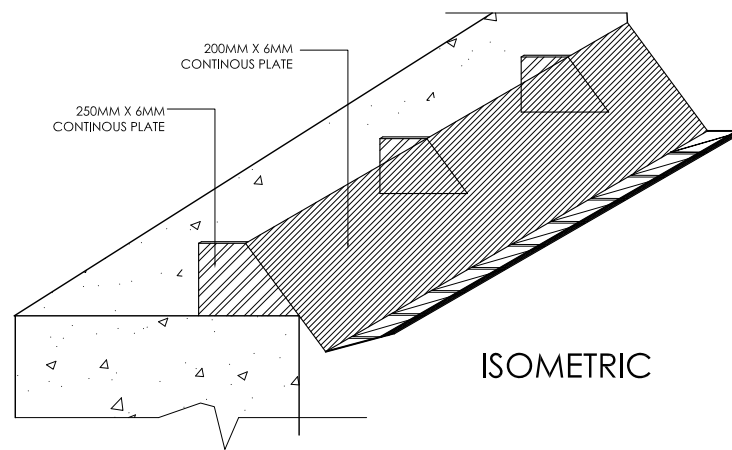
ROOF BEAM DETAIL
SCALE NTS



CROSS SECTION



SIDE ELEVATION



ISOMETRIC

ANCHORAGE DETAIL
SCALE NTS

BEAM SCHEDULE						
BEAM SECTION		EXT SUPPORT	MIDSPAN	INT. SUPPORT	SPACING OF STIRRUPS	INT. SUPPORT
BEAM 1 400MM X 500 MM	TOP BARS	6-16 MM Ø	4-16 MM Ø	6-16 MM Ø	USE 10MM Ø STIRRUPS SPACED AT 2-50, 3-100 REST AT 200 MM O.C.	4-12 MM Ø
	BOTTOM BARS	4-16 MM Ø	6-16 MM Ø	4-16 MM Ø		

NAME OF COMPANY:



DUTY FREE PHILIPPINES

DUTY FREE PHILIPPINES FIESTAMALL, COLUMBIA COMPLEX,
NINYO AQUINO AVENUE, STO. NINO, PARANAQUE CITY 1700
TEL: (02) 5524337 / (02) 5524357

PROJECT TITLE:

**PROPOSED DFPC BASKETBALL
COVERED COURT**

LOCATION:

RECOMMENDING APPROVAL:

MA. LOURDES D. VELARDE
DGM FOR ADMINISTRATION

APPROVED BY:

LORENZO C. FORMOSO
CHIEF OPERATING OFFICER

CAD BY: CAGT

DATE: 02/18/15

SHEET NO.

DESIGN BY:

CHECKED BY:
ECI /ESC

SHEET CONTENTS:
ROOF BEAM PLAN
ROOF BEAM DETAILS
ANCHORAGE DETAILS
SCHEDULE OF BEAMS

**S
3**